



This solid wood acoustical panel by Woodzco is part of the ELEMENT collection that combines design, warmth, and modularity to enhance any space.

With twelve (12) possible configurations and six (6) standard wood species available in 8-, 9-, and 10-foot lengths, this collection is designed to meet the needs of the most demanding creative projects.

Manufactured in Canada to the highest industry standards, with a strong commitment to acoustic performance and tailor-made solutions.

Key features

- » An ideal choice for residential, commercial, and institutional projects
- » Pre-assembled rigid panels engineered for simplified on-site installation
- » Designed for interior installation on walls and ceilings
- » Six standard solid wood species
- » Customization available for all components
- » Optional finishing trims available



CAN/ULC S102 FS1 < 150 SDI < 450
ASTM E-84 CLASS C



ACOUSTICS NRC < 1.00

Specifications

SOLID WOOD SPECIES	Standard solid wood: Aspen (flat cut), Birch (flat cut), Maple (rift cut), Walnut (flat cut), White Ash (flat cut) and White Oak (rift cut)
PANEL SIZES	<ul style="list-style-type: none"> 8-foot length panel : 12" x 95" (305 mm x 2 413 mm) 9-foot length panel: 12" x 107" (305 mm x 2 718 mm) 10-foot length panel : 12" x 119" (305 mm x 3 023 mm)
ASSEMBLY	Pre-assembled and delivered with flat backers
WOOD BLADES	<ul style="list-style-type: none"> Various standard sizes available (refer to the configuration chart) Available with premium matte oil finish, clear or colored and/or clear satin varnish
WOOD BACKERS	<ul style="list-style-type: none"> Birch plywood (white, black, or natural finish). Custom colors available (conditions apply) 1/2" thickness (13 mm) Assembled at 12" c/c (305 mm)
CUSTOMIZATION	*Custom options available (minimum order of 400 sq.ft.)

Technical data

FIRE PERFORMANCE	<ul style="list-style-type: none"> CAN/ULC S102 (FSI < 150; SDI < 450). Also available: FSI<25, some conditions apply* ASTM E-84 (Class C). Also available: Class A, some conditions apply*
ACOUSTICS	<ul style="list-style-type: none"> Acoustic options available to suit project requirements Noise reduction coefficient (NRC) up to 1.00 (conditions apply) Refer to the acoustic chart
ENVIRONMENT	<ul style="list-style-type: none"> LEED v5 FSC certification of the product available upon request only
USE	For interior uses only
SHIPPING	Woodzco products are carefully packaged at the factory and shipped in bulk on wooden pallets
SITE CONDITIONS	<ul style="list-style-type: none"> Wood products are naturally hygroscopic and must be stored flat, installed, and maintained in a controlled indoor environment Temperature: maintain between 50 °F and 86 °F (10 °C and 30 °C) Relative humidity: maintain between a minimum of 25 % and a maximum of 55 % (with no more than 20 % difference between maximum and minimum) <p>Failure to comply with one or more of these on-site conditions will void Woodzco's limited warranty</p>
WARRANTY	Three (3) year warranty on all Woodzco products. Please refer to Woodzco's limited warranty on our website for full details

LEED V5	
MATERIALS AND RESSOURCES (MR)	INDOOR ENVIRONMENTAL QUALITY (IEQ)
MRc3 Low Emitting Materials ✓	EQc2 Occupant Experience ✓
VOC Emissions (CDPH) ✓	Option 1 Biophilic ✓
Formaldehyde Emissions (CARB) ✓	Path 1 Integrated Biophilic Design ✓
	Option 4 Sound Environment ✓



FE © 2026, Woodzco. All rights reserved.

ACOUSTICAL PROPERTIES

VERTICAL BLADES

Simulation #	Panel Sizes	Qty of blades	Blade Width	Blade Height	Space between blades	OA %	NRC								
								62.5	125	250	500	1000	2000	4000	8000
1	12" x 95"	6	3/4	1-1/2"	1-1/4"	0.63	0.91	0.38	0.80	1.0	1.0	1.0	1.00	0.55	0.18
2	12" x 95"	6	3/4	2"	1-1/4"	0.63	0.90	0.38	0.80	1.0	1.0	1.0	0.98	0.53	0.17
3	12" x 95"	6	1	1-1/2"	1"	0.50	0.91	0.37	0.80	1.0	1.0	1.0	1.00	0.55	0.18
4	12" x 95"	6	1	2"	3/4"	0.50	0.83	0.37	0.80	1.0	1.0	1.0	0.74	0.40	0.13
5	12" x 95"	8	3/4	1-1/2"	3/4"	0.50	0.91	0.37	0.80	1.0	1.0	1.0	1.00	0.55	0.18
6	12" x 95"	8	3/4	2"	3/4"	0.50	0.83	0.37	0.80	1.0	1.0	1.0	0.74	0.40	0.13

- Table 1. Acoustic performance with random incidence for ELEMENT panel with vertical blades. The noise reduction coefficient (NRC) is expressed in corrected simulated values with an E-400 setup using 1-inch acoustic material.

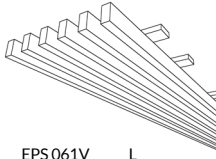
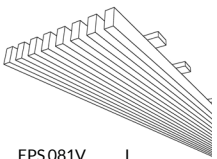
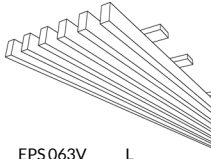
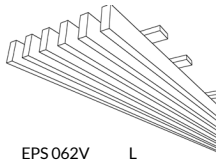
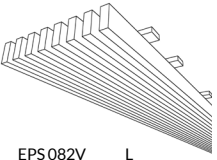
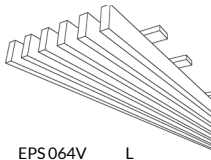
HORIZONTAL BLADES

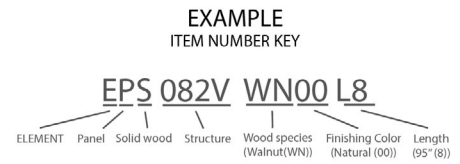
Simulation #	Panel Sizes	Qty of blades	Blade Width	Blade Height	Space between blades	OA %	NRC								
								62.5	125	250	500	1000	2000	4000	8000
7	12" x 95"	3	3-1/2"	3/4"	1/2"	0.125	0.69	0.38	0.85	1.0	1.0	1.0	0.27	0.20	0.13
8	12" x 95"	4	2-1/2"	3/4"	1/2"	0.17	0.77	0.37	0.80	1.0	1.0	1.0	0.53	0.33	0.12
9	12" x 95"	6	1-1/2"	3/4"	1/2"	0.25	0.88	0.38	0.80	1.0	1.0	1.0	0.90	0.51	0.12

- Table 2. Acoustic performance with random incidence for ELEMENT panel with horizontal blades. The noise reduction coefficient (NRC) is expressed in corrected simulated values with an E-400 setup using 1-inch acoustic material.

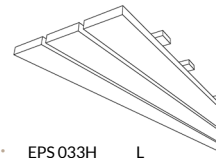
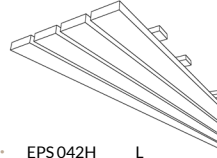
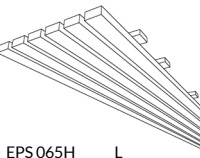
CONFIGURATIONS

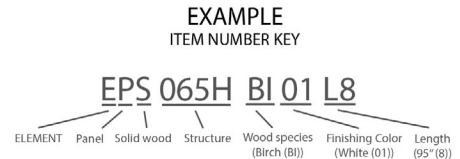
VERTICAL BLADES (12" panel width)

	3/4" blade width		1" blade width
	6 blades per panel	8 blades per panel	6 blades per panel
1-1/2" blade height	 EPS 061V ___ L_	 EPS 081V ___ L_	 EPS 063V ___ L_
2" blade height	 EPS 062V ___ L_	 EPS 082V ___ L_	 EPS 064V ___ L_



HORIZONTAL BLADES (12" panel width)

	3-1/2" blade width	2-1/2" blade width	1-1/2" blade width
	3 blades per panel	4 blades per panel	6 blades per panel
3/4" blade height	 EPS 033H ___ L_	 EPS 042H ___ L_	 EPS 065H ___ L_



CONFIGURATIONS

VERTICAL BLADES

PRODUCT CODE		BLADES	WOOD BLADE SIZES		SPACE BETWEEN BLADES		OPEN AREA	PANEL THICKNESS		AVERAGE WEIGHT	
ITEM	QTY		MM	INCHES	MM	INCHES		MM	INCHES	KG/SF	LBS/SF
EPS 061_____L_	6		19 x 38	3/4 x 1-1/2	31	1-1/4	46	51	2	0.82	1.8
EPS 081_____L_	8		19 x 38	3/4 x 1-1/2	19	3/4	50	51	2	0.95	2.1
EPS 062_____L_	6		19 x 51	3/4 x 2	31	1-1/4	46	64	2-1/2	1.13	2.5
EPS 082_____L_	8		19 x 51	3/4 x 2	19	3/4	50	64	2-1/2	1.13	2.5
EPS 063_____L_	6		25 x 38	1 x 1-1/2	25	1	46	51	2	0.95	2.1
EPS 064_____L_	6		25 x 51	1 x 2	25	1	50	64	2-1/2	1.13	2.5

HORIZONTAL BLADES

PRODUCT CODE		BLADES	WOOD SLAT SIZES		SPACE BETWEEN BLADES		OPEN AREA	PANEL THICKNESS		AVERAGE WEIGHT	
ITEM	QTY		MM	INCHES	MM	INCHES		MM	INCHES	KG/SF	LB/SF
EPS 033_____L_	3		89 x 19	3-1/2 x 3/4	13	1/2	13	31	1-1/4	1.13	2.5
EPS 042_____L_	4		64 x 19	2-1/2 x 3/4	13	1/2	17	31	1-1/4	1.09	2.4
EPS 065_____L_	6		38 x 19	1-1/2 x 3/4	13	1/2	25	31	1-1/4	0.95	2.1

Finishing Wood Color

1. White Oak, Maple, White Ash, Birch and Aspen are available in six (6) standard colors: Natural (00), White (01), Gray (02), Medium Brown (03), Dark Brown (04) and Black (06)
2. Walnut is only available in Natural (00)

ACCESSORIES

ACOUSTIC MATERIAL

PRODUCT CODE	WIDTH		THICKNESS		COLOR
	MM	INCHES	MM	INCHES	FINISHING
TSF 06N L8	305	12	6	1/4	Black

FLAT WOOD BACKER

PRODUCT CODE	WIDTH		THICKNESS		COLOR
	MM	INCHES	MM	INCHES	FINISHING
EAS 01FB PW06 L1	305	12	13	1/2	Black
EAS 01FB PW01 L1	305	12	13	1/2	White
EAS 01FB PW00 L1	305	12	13	1/2	Natural

INSTALLATION

Refer to the installation guide for complete details.

FINISHING

Oil Colors

Available in six (6) standard colors with a premium matte oil finish and/or clear satin varnish, with custom options available*



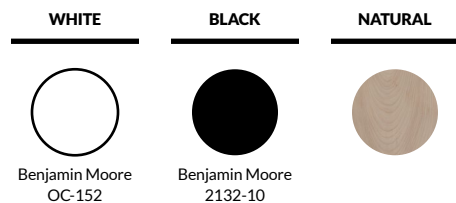
Solid Wood Species

Available in six (6) standard solid wood species, with additional wood species available upon request*



Wood Backer Colors

Available in three (3) standard colors, with custom options available*



Panel lengths

Available in three (3) standard lengths (L): 95" (8), 107" (9) and 119" (10)

Disclaimer: A single sample may not accurately represent the full range of natural variations that can be expected. Due to the inherent properties and characteristics of wood, these samples should be considered an approximation of the effect that may be achieved. Some wood species exhibit greater natural appearance variations than others. We have made every effort to make the colors as accurate as possible. Please allow a tolerance of 1/16" in the actual dimensions of all our products. Due to continual product improvement, the information contained in this document is subject to change without notice. Woodzco assumes no responsibility for any errors or omissions that may have occurred inadvertently in this document.

* For further information, contact your Woodzco representative. Certain conditions apply.