

TECHNICAL DATA SHEET

PROFILE

PROFILE collection is made of premium solid wood moldings. With four patterns to choose from, they can be mixed and matched to create a designed wood texture on interior walls, ceilings, and custom-made furniture. Suitable for straight or curved installation. PROFILE collection offers a luxury and sophisticated accent to any interior design.

SPECIFICATION

TYPE	WoodzCo PROFILE Collection (solid wood moldings)
STANDARD WOOD SPECIES	Solid wood; Aspen - Birch - White oak
STANDARD NOMINAL SIZES	3" x 96"
FINISH	Pre-sanded and unfinished only
FIRE PERFORMANCE	Available; CAN/ULC S102 (Canada) and Class A per ASTM E-84 (USA)
USES	Interior use only. Residential - Commercial - Institutional - Educational

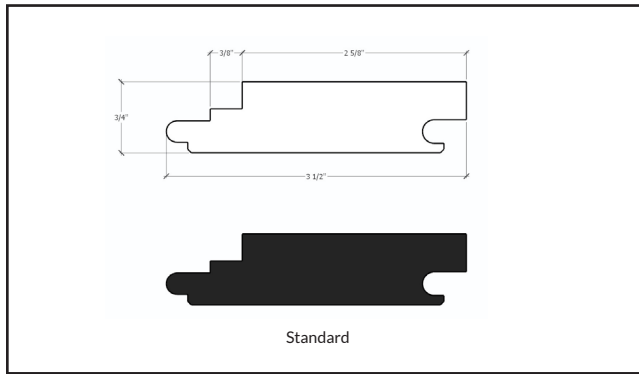
FEATURES

Vertically or horizontally installed, used as architectural solid wood components

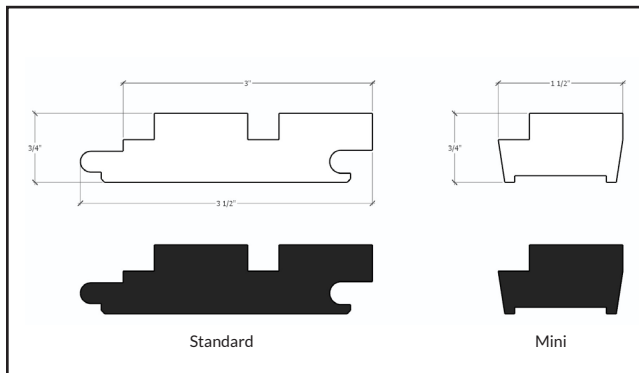
Designed for interior applications on walls, ceilings and custom-made furniture

"Mini model" PROFILE components can be used for curved surfaces

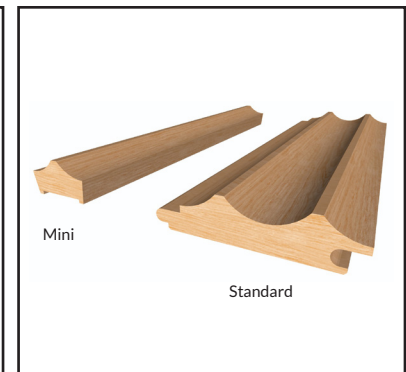
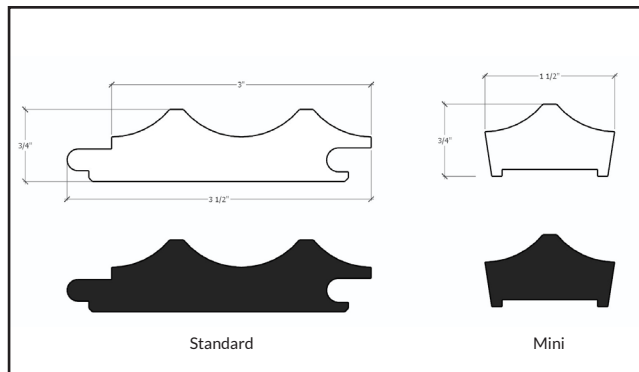
Four (4) patterns to choose from that can be mixed and matched to create unique design



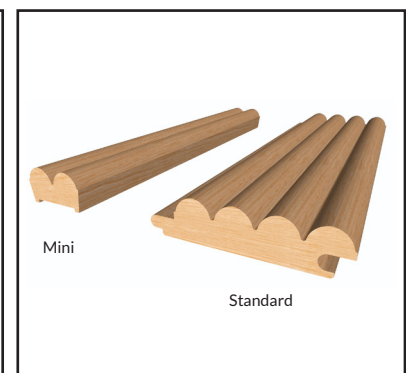
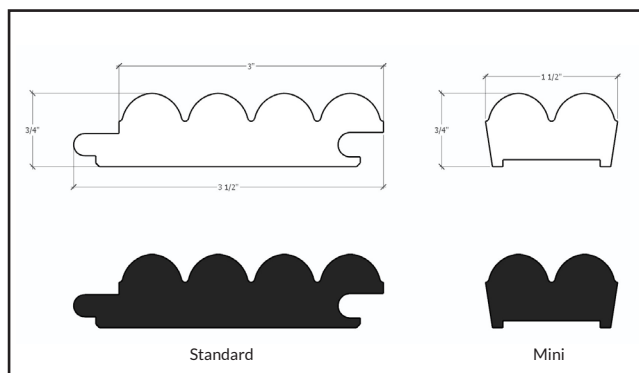
Horizon



Cliff



Fjord



Colline

PATTERNS	SOLID WOOD MOLDING SIZE		
Name	Thickness	Width x length (in)	Width x length (mm)
Horizon	3/4" (19 mm)	3 x 95	76 x 2413
Cliff	3/4" (19 mm)	3 x 95	76 x 2413
Fjord	3/4" (19 mm)	3 x 95	76 x 2413
Colline	3/4" (19 mm)	3 x 95	76 x 2413

Size chart - PROFILE collection

INSTALLATION METHOD

For details, please refer to WoodzCo PROFILE collection's Installation Guide.

SOLID WOOD

SOLID WOOD SPECIES

Aspen

Birch

White Oak



Disclaimer:

A single sample may not accurately represent the full range of natural variations to be expected. Due to the inherent properties and characteristics of wood, these samples should be viewed as an approximation of what can be obtained. Some wood species have more natural variance in appearance than others. We have made every effort to make colors as accurate as possible. Please contact WoodzCo for more details.

PHYSICAL DATA

SOLID WOOD SELECTION	WoodzCo PROFILE solid wood moldings are available in three (3) standard solid wood species. Custom wood species also available, certain conditions apply.
Finishing	WoodzCo PROFILE solid wood moldings are available pre-sanded and unfinished only and ready to be stained or finished on site.
Dimension	WoodzCo PROFILE solid wood moldings are manufactured and sold individually in four (4) standard patterns. Standard & Mini models available.
Warranty	Three (3) Year Warranty on all WoodzCo products. See WoodzCo's Limited Warranty on our website for details.
SHIPPING AND SITE CONDITIONS	
Shipping	WoodzCo products are carefully packaged at the production plant and shipped in cardboard boxes or/and palletized on wooden skids.
Site Conditions	Wood products are hygroscopic in nature and must be flat stored, installed & maintained in a controlled building environment. Temperature range should be maintained between 60°-90° F (15°-32° C). Relative Humidity range should be kept within a minimum 25%—max. 55% (not to exceed 20% RH from peaks to valleys). Failure to maintain site conditions will void the WoodzCo's Limited warranty.

*Product information is subject to change without notice. For any questions, please contact your WoodzCo representative.